



SEWER CONNECTION PERMIT (SWP) APPLICATION
Planning & Building Services Department
Building Division

200 S. Willow St. | phone: (307) 733-7030
P.O. Box 1727 | www.tetoncountywy.gov
Jackson, WY 83001

For Office Use Only

Fees Paid _____

Check # _____ Credit Card _____ Cash _____

SWP _____ BDR _____

Please type or fill out this application in ink only.

PROJECT:

Name/Description: _____

Physical Address: _____

Lot, Subdivision: _____ PIDN: _____

DIRECTIONS TO PROPERTY:

OWNER:

Name: _____ Phone: _____

Mailing Address: _____ City, State: _____

Email: _____ ZIP: _____

APPLICANT/AGENT:

Name: _____ Phone: _____

Mailing Address: _____ City, State: _____

Email: _____ ZIP: _____

PROPOSED SEWER CONNECTION INSTALLER:

Name: _____ Phone: _____

Mailing Address: _____ City, State: _____

Email: _____ ZIP: _____

STRUCTURE INFORMATION:

Residential Uses: Number of Bedrooms _____ Number of Bathrooms _____
 Finished Floor Area _____ Unfinished Floor Area _____

Nonresidential Uses: Use Description _____
 Floor Area _____

WATER SUPPLY INFORMATION:

_____ Water meter size
 _____ Potable water source (private well, public water system, spring, etc.)
 _____ Landscaping water source (private well, public water system, spring, etc.)

SUBMITTAL REQUIREMENTS. *Teton County Sewer Connection Permits are required for all buildings which connect to sewage collection systems located in the following developments: Melody Ranch, Big Trails, O Bar B, Rafter J Ranch, Valley View, Spring Creek Ranch, Homes at Amangani, Elk Dance Estates, Teton Shadows, Jackson Hole Golf & Tennis Club, 3 Creek Ranch, and Wilson Sewer District. Newly added 2014 properties include 5540, 5555, 5600, 5660, 5675, and 5700 Stone Creek Ln.*

Sewer connection permit approval is required by Teton County, the Town of Jackson, and the Wilson Sewer District (if connecting in Wilson) before a building permit can be issued and/or a connection can be made. *A test tee connection is required to be installed for testing purposes. The tee shall be capped and plugged after the County has observed and approved of an infiltration static water test for the service line. County review and approval of the pipe and bedding material is required and sewer cleanouts are required immediately outside the building and every 100' feet as necessary.*

Once approval is granted by Teton County, the applicant will be contacted to pick up the approved packet from the Teton County Building Department and take it over to the Town of Jackson Building Department for their review and approval. Once approved by the Town of Jackson Building Department, the applicant will need to pay the appropriate connection fees and take a copy of the approval letter or receipt of payment back over to the Teton County Building Department for the County's records.

The sewer connection must be inspected prior to backfilling. Contact the Teton County Inspection Line at 732-5745 to schedule the required inspection. You will need the building permit number, or physical address of the property to schedule the inspection.

*In order to expedite the review of your application, please be sure to include a digital copy of the application, as required below. **Failure to provide a digital copy of the plans may result in slow the review of your applications.***

In addition to the standard sewer connection details, water connection details are also required for all 3 Creek Ranch connections.

- _____ A fee of \$100 due at the time of submittal.
- _____ Letter of Authorization if the applicant is other than the property owner.
- _____ Copy of the warranty deed.
- _____ One set of complete drawings scaled on sheets no larger than 11" x 17" to include the following:
 - _____ Site plan of the property showing the location and size of all existing and proposed sewer mains and services.
 - _____ For commercial buildings, floor plans of all levels of the building to be connected to sewer and the planned use of the building.
 - _____ Sewer connection and installation details which conform to Town of Jackson standards.
 - _____ Size, slope and material of the sewer service. Please note the sewer service is required to be completed with schedule 40 PVC pipe sloped at a minimum of ¼" per foot and a minimum of 4".
 - _____ DEQ approval for service lines 6" or greater in size.
 - _____ Method of sewer service trench construction. Please note that at a minimum the construction is required to comply with Town of Jackson Standards.

_____ A digital copy of the drawing set.

Where a connection to a Town water system is proposed, the following information shall also be required:

_____ Location of water service meter(s) and backflow systems shown on the site plan.

_____ Details of the plumbing meter(s) and backflow systems) to be installed within the building.

_____ Method of water service construction to include a service line trench construction detail, thaw wire connection details, and the materials to be used to complete the water service line.

NOTICE: For permits that require a plan-level GEC permit, a preapplication conference is mandatory prior to submitting the GEC application.

When requested, a financial surety is required; the applicant shall be responsible for providing a cost estimate for the work requiring the surety.

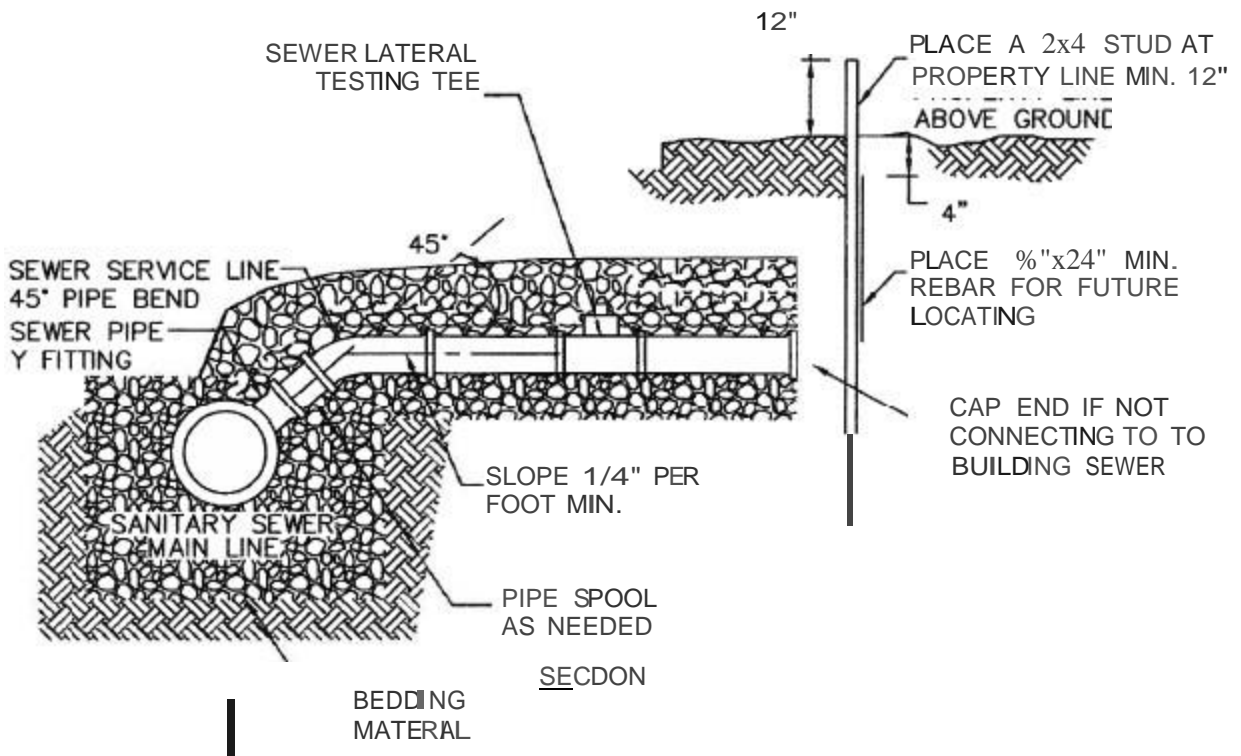
I certify that I have read and examined this application and know the same to be true and correct. All provisions of the laws and ordinances governing this work will be complied with whether specified herein or not. The granting of this permit does not give authority to violate or cancel the provisions of any state or local law regulating grading or the performance thereof.

Signature of Applicant

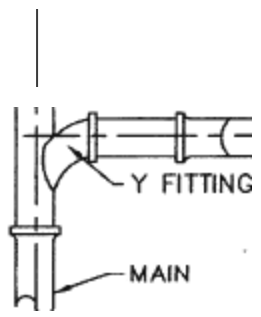
Date

Print Name

Title



SCHEDULE 40 FOR 4" MIN SERVICES PIPE SHALL BE REQUIRED FROM SEWER MAIN TO BUILDING (SEE TOWN STANDARDS)



FLOW DIRECTION

SEWER LATERAL TESTING TEE TO OC LOCATED AS CLOSE TO THE MAIN AS POSSIBLE OR AT THE PROPERTY LINE

NOTES:

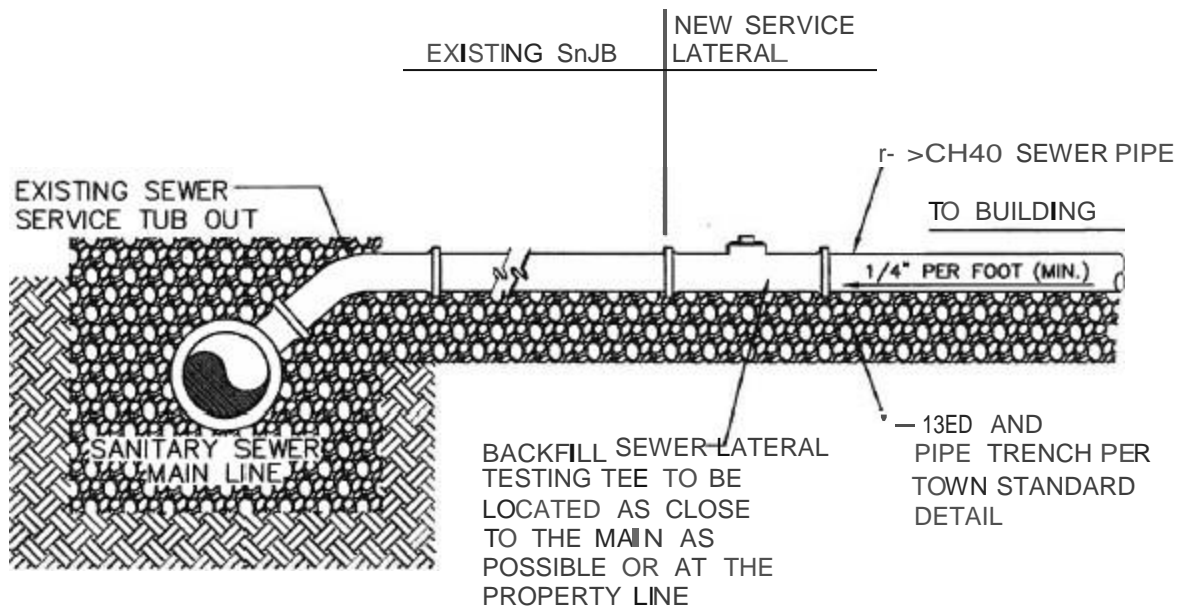
1. NEW SERVICE CONNECTIONS TO EXISTING SANITARY SEWER MAINS SHALL BE COMPLETED BY TOWN OF JACKSON. THE PRIVATE PARTY BEING SERVED BY THE NEW CONNECTION SHALL BE RESPONSIBLE FOR CARRYING OUT BACKFILL OPERATIONS.
2. BACKFILL OPERATIONS AT NEW SERVICES CONNECTED TO EXISTING SANITARY SEWER MAINS SHALL BE COMPACTED PER TOWN STANDARDS.
3. CLEANOUT TO BE PROVIDED ADJACENT TO HOUSE EVERY 100' OR SERVICE LINE AND AT ALL BENDS.



SANITARY SEWER SERVICE LINE

SS-111 DATE: 1/17/07

SCALE: NTS



NOTES:

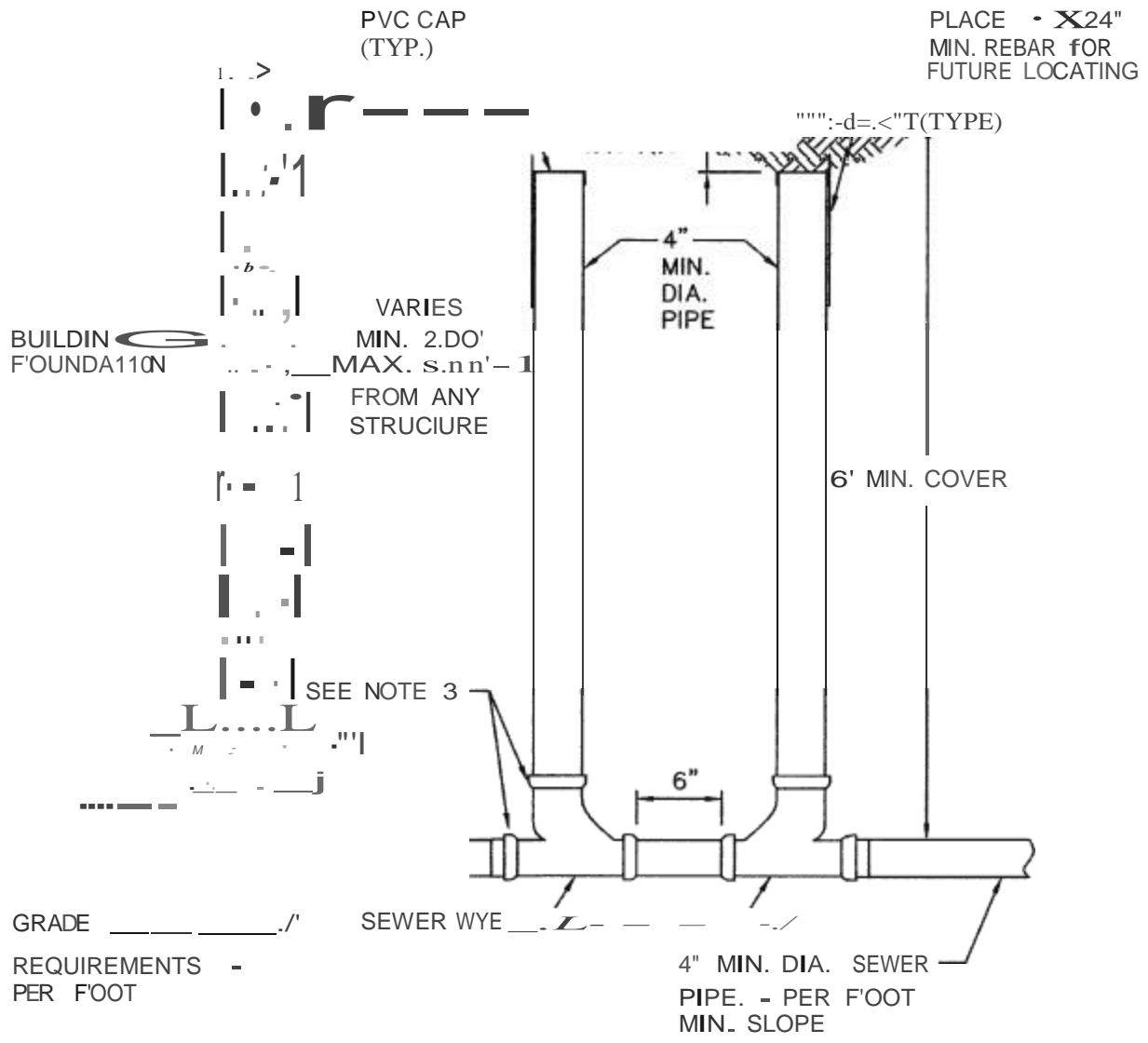
1. NEW SERVICE CONNECTIONS TO EXISTING SANITARY SEWER S_nJBS SHALL BE FIELD APPROVED BY THE TOWN OF JACKSON.
2. TRENCH SECTION AND BACKFILL OPERATIONS OF NEW SERVICE LINE SHALL BE COMPLETED PER TOWN STANDARDS. SEE DETAIL.
3. CLEANOUTS TO BE PROVIDED ADJACENT TO HOUSE, AT A MINIMUM OF 100' INTERVALS ALONG SERVICE LINE AND AT ALL BENDS.
4. PRIOR APPROVAL OF THE NEW SERVICE. THE LINE SHALL BE WATER TESTED FROM THE TESTING TEE TO THE BUILDING. WATER TEST SHALL BE WITNESS BY TOWN STAFF.



CONNECTION TO EXISTING
SERVICE STUB-OUT

SS-112 DATE: 1/17/07

SCALE: N/S



NOTES-

1. PRIOR TO BACKFILL THE TOWN PUBUC WORKS DEPARTMENT MUST INSPECT ALL PIPE, FITTINGS, COUPLINGS GRADE AND COMPLETE WATER TESTING.
2. INSTALL AND COMPACT ALL BACKFILL MATERIAL PER TOWN PUBUC WORKS DEPARTMENT STANDARD SPECIFICA110NS AND AS SHOWN WITHIN THE TRENCH DETAIL.
3. ALL PVC FITIINGS SHALL MEET ASTM D3034 SPECIFICA110NS, AND SHALL ALSO MEET ASTM D312 SPECIFICATIONS FOR RUBBER GASKETED BELL AND SPIGOT TYPE WITH INTEGRAL BELL.

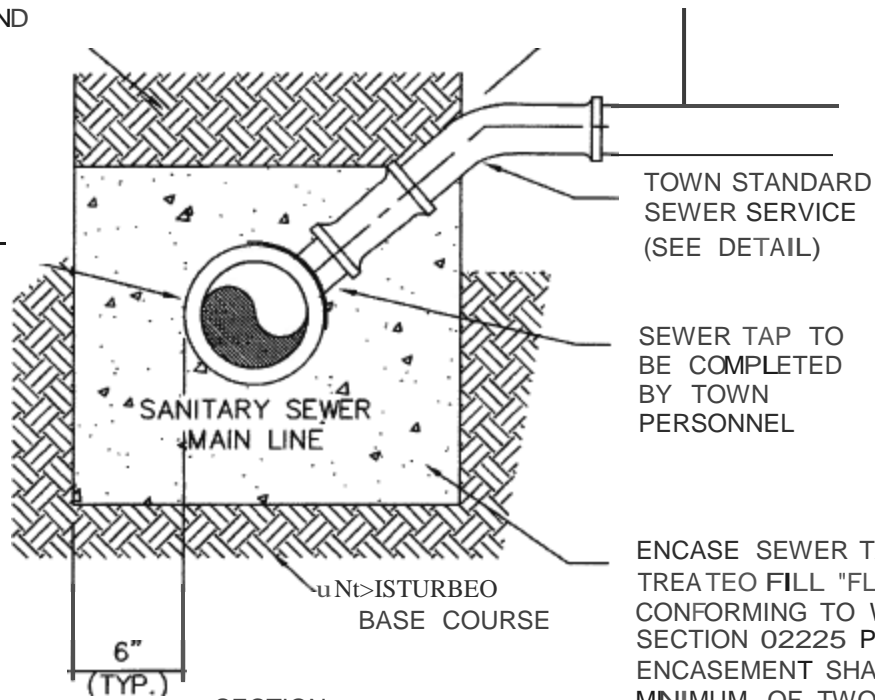
9

SERVICE LATERAL BUILDING CLEANOUT

SS-u • DATE: 1/17/D'
 SCI/LR: NTS

BACKFILL AND
COMPACT
TRENCH PER
TOWN
STANDARDS

EXISTING
SEWER
MAIN



ENCASE SEWER TAP IN CEMENT
TREATED FILL "FLOWABLE FILL"
CONFORMING TO WPWSS
SECTION 02225 PART 2.01B.
ENCASUREMENT SHALL EXTEND A
MINIMUM OF TWO FEET *ON*
EITHER SIDE OF TAP.

SECTION

NOTES:

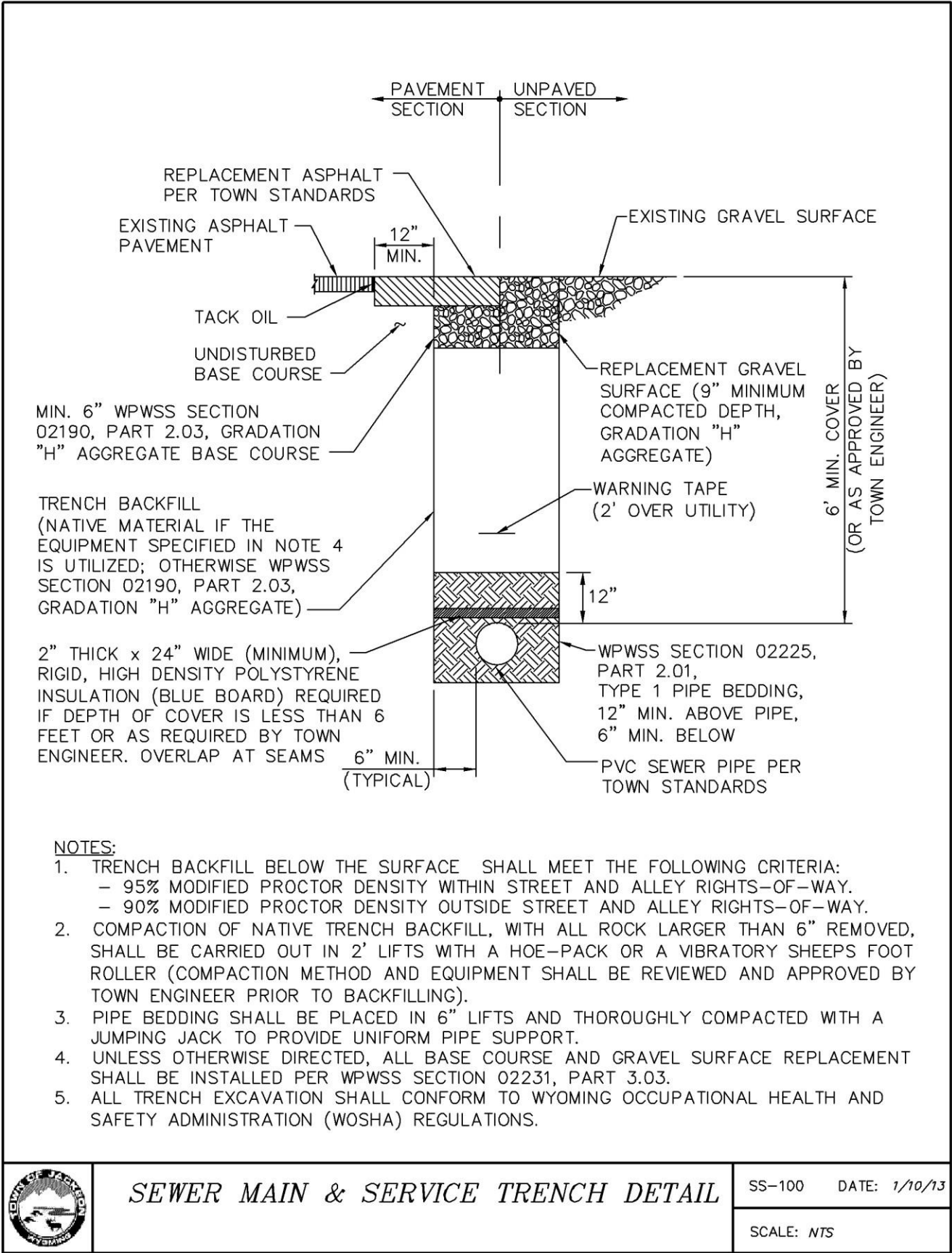
1. THE TOWN WILL PERFORM TAP AT THE EXPENSE OF THE OWNER. ALL OTHER WORK SHALL BE PERFORMED BY THE OWNERS/CONTRACTOR.
2. THE TOWN SHALL PERFORM TAP ONLY WITHIN TRENCHES WHICH MEET OR EXCEED THE STANDARDS SET BY OSHA. THE TOWN RESERVES THE RIGHT TO REQUIRE ADDITIONAL TRENCH EXCAVATIONS BE COMPLETED SHOULD IT BE DETERMINED BY TOWN PERSONNEL THAT THE TRENCH IS NOT IN COMPLIANCE WITH OSHA STANDARDS.



SEWER MAIN TAPPING

SS-115 DAIE: 1/77/07

SCALE: NTS



SEWER MAIN & SERVICE TRENCH DETAIL

SS-100 DATE: 1/10/13

SCALE: NTS